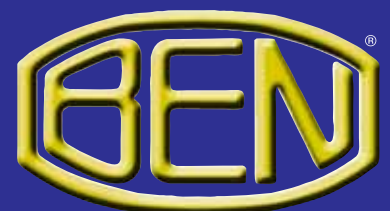
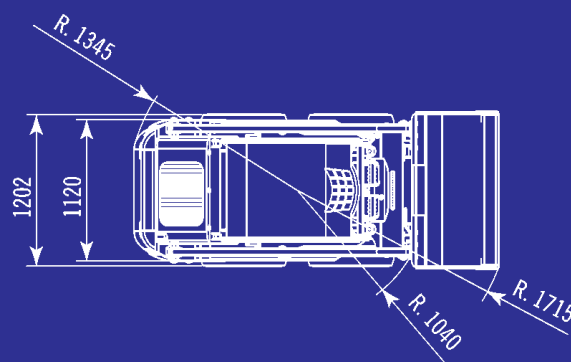
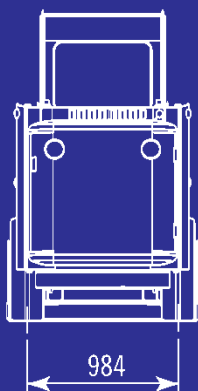
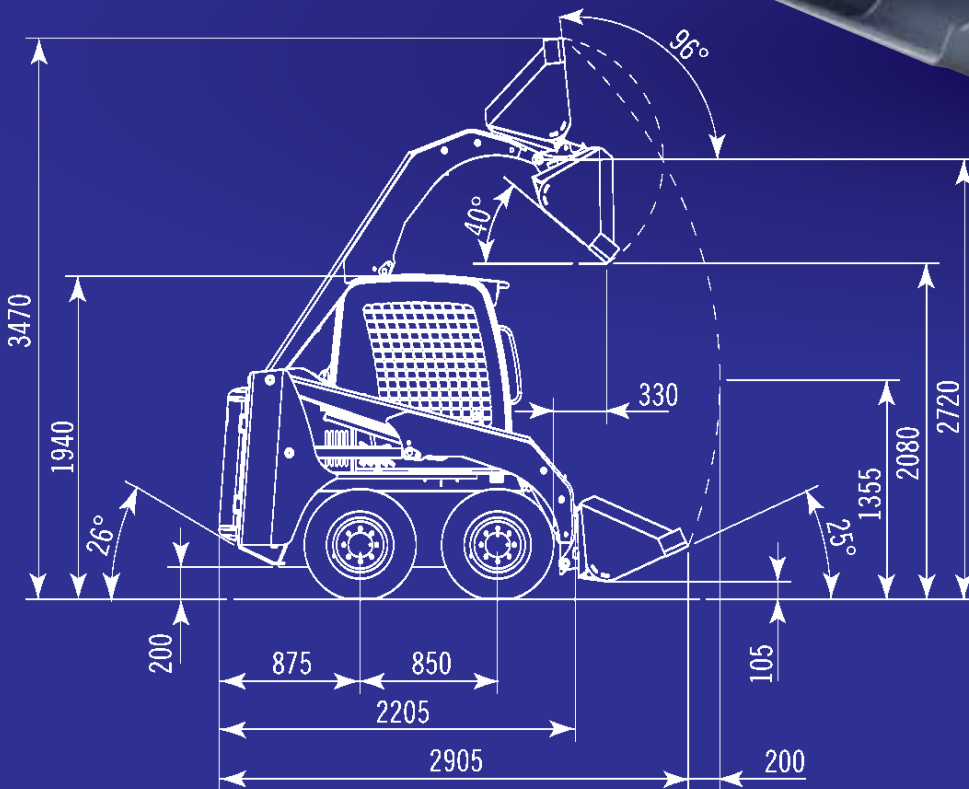


## BEN SKL 35

- Skid steer loader with hydrostatic transmission realized with double axial pistons pump with variable displacement and four gear motors, sequely connected, on single wheels; (no chain drive).
- Hydraulic servo-controls to operate booms, bucket and travelling.
- Wide and comfortable driving place with open or closed cab, lifted by springs, for rapid access and maintenance; 1st o 2nd Stage FOPS, ROPS protection.
- The tilting safety bar side which safely disconnects all the servo controls when it is lifted, can be used also as an arm rest to comfortably use the joysticks.
- Hydraulic power take off (PTO) to use various attachments.
- Quick hitches for predisposed buckets and various tools.





skid loader

# BEN SKL 35

## STANDARD EQUIPMENT

- ROPS FOPS 1st stage open cab
- Power take off (P.T.O.) with electrical quick coupling
- Floating electric valve to equalize the bucket to ground level
- Bucket quick hitches
- Frontal working lights
- Reverse motion alarm.

## OPTIONAL EQUIPMENT

- Porta cabina
- Cab door
- Heating system
- Side windows
- FOPS 2nd Stage
- Self-levelling valve to raise in parallel bucket or forks
- Lighting system for on-road travelling
- Anti-blow out tyres
- Snow chain
- Various forks
- Hydraulic breaker
- Sweeper
- Hydraulic drill
- Razor lawn mover
- Snow-blower blade
- HIGH FLOW system on P.T.O. for asphalt milling cutter

## ENGINE

- Make and model Kubota D1703-M
- Max power at 3200 rpm (DIN 6271) HP/Kw 34.5/25.4
- Maximum torque (1600 rpm) Nm 110
- Cylinders N° 3
- Displacement cm<sup>3</sup> 898
- Cooling water
- Battery N° 1 - 12 V - 80 Ah

## PERFORMANCES

- Operating weight Kg 1850
- Bucket payload Kg 450
- Bucket capacity (SAE) m<sup>3</sup> 0,244
- Tractive effort daN 1710
- Break-out force daN 930
- Lifting force (from ground) daN 1030
- Travel speed Km/h 0-10
- Maximum gradient capability more than % 100
- Tyres 27 x 8.5 - 15
- Maximum working pressure bar 180
- Hydrostatic steering hydrostatic

## HYDRAULIC SYSTEM

- Servo controlled distributor to raise and tip the bucket
- Gear pump L/min 1x39
- Power take off (P.T.O.) L/min 39 (180 bar)
- Safety electro valve to block the booms falling
- Floating electro valve to equalize the bucket to the ground level
- Pilot assisted joy-stick to operate booms and bucket

## HYDROSTATIC TRASMISSION

- Double axial pistons pump with variable displacement and four sequel connected gear motors (one for each wheel)
- Negative control brakes on frontal axle wheels gears motors
- Joy-stick to travel
- Heat exchanger to cool hydraulic oil (oil/water)
- Oil bath epicyclical gear drives
- Main pump l/min. 2 x 57

## REFUELLING

- Fuel tank capacity lt 42
- Hydraulic oil tank capacity lt 30



# BENATI

s.r.l.  
group

Via San Pier Grisologo, 26 - 40026 IMOLA (Bo)  
info@benatigroup.com - parts@benatigroup.com

# www.benati.it